



**5**  
YEAR

SATISFACTION  
GUARANTEE

models

1303, 5303, 6303, 6803, 7503, 7803

## WHOLE ROOM CIRCULATOR OWNER'S GUIDE

GUÍA DEL PROPIETARIO DEL  
CIRCULADOR DE AIRE PARA TODA  
LA HABITACIÓN

## READ AND SAVE THESE INSTRUCTIONS

LEER Y GUARDAR ESTAS  
INSTRUCCIONES

[vornado.com](http://vornado.com)

We expect this  
product to be  
perfect.

If it is not, we  
will make it  
right.

vornado.com  
800-234-0604  
help@vornado.com

## CONTENTS

Important Safety Instructions .....	4	Troubleshooting .....	12
Features .....	7	Warranty.....	13
Getting Started .....	8		
Cleaning .....	10		

Español p. 14

# READ AND SAVE THESE INSTRUCTIONS

## IMPORTANT SAFETY INSTRUCTIONS

This owner's guide and any additional inserts are considered part of the product. They contain important information about safety, use and disposal. Before using the product, please familiarize yourself with all operating and safety instructions. Please keep all documents for future reference and pass these documents on, together with the product, to any future owner. See [www.vornado.com/circulators-manuals](http://www.vornado.com/circulators-manuals) to view, download and print the most current version of these instructions.

**INTENDED USE:** This product is intended to circulate the air in indoor living spaces only in the United States. This product (Model 6803 and 7803 Only) is intended for floor use only. This product is not intended for commercial or industrial use. The manufacturer assumes no responsibility for damage or injury due to unauthorized use or product modification. Failure to follow these directions will void the product warranty.

## WARNING: Risk to Children and Impaired Persons

Supervision is required during the installation, operation, cleaning and maintenance of this product by children 12 years of age and younger and anyone with reduced physical, sensory or mental capabilities. Children should be supervised to ensure that they do not play with the appliance, its parts and packaging material.

## INSTALLATION WARNING—To reduce risk of fire, electrical shock and injury to persons, observe the following:

- Place this product away from curtains, draperies, tablecloths and other fabrics, since they may be drawn into the product, damage the motor and/or cause a fire.

- No part of this product (the appliance, power cord, plug, packaging, etc.) should be placed near furnaces, fireplaces, stoves or other high temperature heat sources. Do not use this product in a window, on an uneven or unstable surface, or near water.
- The appliance, power supply, power cord and plug cannot come into contact with water. Do not use this product on wet surfaces. Do not use this product in a bathtub or shower or position product where it may fall into a bathtub, laundry, swimming pool or other water container. Do not use this product outdoors or expose it to weather or elements.
- Do not run cord under carpeting. Do not cover cord with throw rugs, runners, or similar coverings. Do not route cord under furniture or appliances. Arrange cord away from traffic area and where it will not be tripped over. The cord should not hang over edges of counters or be placed where it can be crimped or closed in doors. Place appliance near an easily accessible outlet so the product can be unplugged quickly during an emergency.

## SAFE USE WARNING—To reduce risk of fire, electrical shock and injury to persons, observe the following:

- **WARNING:** To reduce likelihood of circuit overload, fire and electric shock, do not operate with a solid state speed device, such as a dimmer control switch.
- Do not operate any fan with a damaged cord or plug. Discard fan or return to an authorized service facility for examination and/or repair.
- Do not operate unit if the unit has been dropped or damaged. Do not use this product if it has a damaged power cord or plug. To avoid risk of electrical shock, do not attempt to repair or replace parts. Only original replacement parts may be used. If the power cord is damaged, it must be replaced by the manufacturer, its service agent, or similarly qualified persons in order to avoid a hazard.

Contact Vornado Consumer Service at 1-800-234-0604 (phone) or [consumerservice@vornado.com](mailto:consumerservice@vornado.com) (email) for further instructions about replacement and repair.

- Before plugging power cord into electrical outlet, be sure that all electrical information on the rating label, including voltage, is compatible with your outlet's power supply.
- Do not sit or stand on product.
- Never use the cord as a handle or otherwise yank, strain or stretch the power cord.
- While the product is plugged in, do not insert or allow foreign objects to enter any input or output opening as this may cause risk of electric shock or fire, or damage the product.
- A loose fit between wall outlet (receptacle) and plug may cause overheating and distortion of the plug. Discontinue use of the product in this outlet. Contact a qualified electrician to replace loose or worn outlets.
- This appliance has a polarized plug (one blade is wider than the other.) To reduce the risk of electric shock, this plug is intended to fit in a polarized outlet only one way. If the plug does not fit fully in the outlet, reverse the plug. If it still does not fit, contact a qualified electrician. Do not attempt to defeat this safety feature.
- Before moving, repositioning, servicing, cleaning and when not in use, use the product controls to turn off the power and then unplug. To disconnect from outlet, grasp and pull only the plug. Also, power off and unplug if the product will be left unattended for an extended period of time or during electrical storms.

## SERVICING WARNING—To reduce risk of fire, electrical shock and injury to persons, observe the following:

- Clean your product regularly, only as is instructed in this manual. Prior to cleaning, turn off the power on your product and unplug. Do

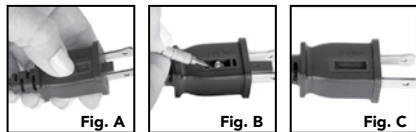
not use gasoline, thinners, solvents, ammonias or other chemicals for cleaning. Refer to the CLEANING instructions provided.

- Do not open appliance housing while product is plugged in. To avoid risk of shock, all service and/or repairs must be done by a Vornado Authorized Service Center.
- This product employs overload protection (fuse). A blown fuse indicates an overload or short-circuit situation. If the fuse blows, unplug the product from the outlet. Replace the fuse as per the user servicing instructions (follow product marking for proper fuse rating) and check the product. If the replacement fuse blows, a short-circuit may be present and the product should be discarded or returned to an authorized service facility for examination and/or repair.

## User Servicing Instructions

1. Using the product controls, turn off the appliance.
2. Grasp the plug (not the cord) and disconnect from the outlet.
3. Risk of Fire. Replace fuse only with 2.5 Amp, 125 Volt fuse as approved by Vornado Consumer Service. For an authorized replacement fuse, please contact Vornado Consumer Service.
4. Once the replacement is received, use a small flat-head screwdriver to slide open the fuse cover (located on the plug) (See next page, Fig. A).
5. Remove fuse by using the screwdriver to gently lift each end of the fuse (See next page, Fig. B).
6. Install the replacement fuse by using the screwdriver to gently push each metal end of the fuse into the receptacle one at a time. Do not push on the center of the fuse—it is fragile and may break.
7. Slide the fuse cover closed using the screwdriver. When closed, the cover should fit completely in the plug. No part of the cover should stick out (See next page, Fig. C).

8. Plug your appliance into the outlet and turn the power on.
9. If the replacement fuse blows, a short-circuit may be present and the product should be discarded or returned to an authorized service facility for examination and/or repair.



Risk of fire. Do not replace attachment plug. Contains a safety device (fuse, AFCI, LCDI) that should not be removed. Discard product if the attachment plug is damaged.

**SAVE THESE INSTRUCTIONS**

# FEATURES

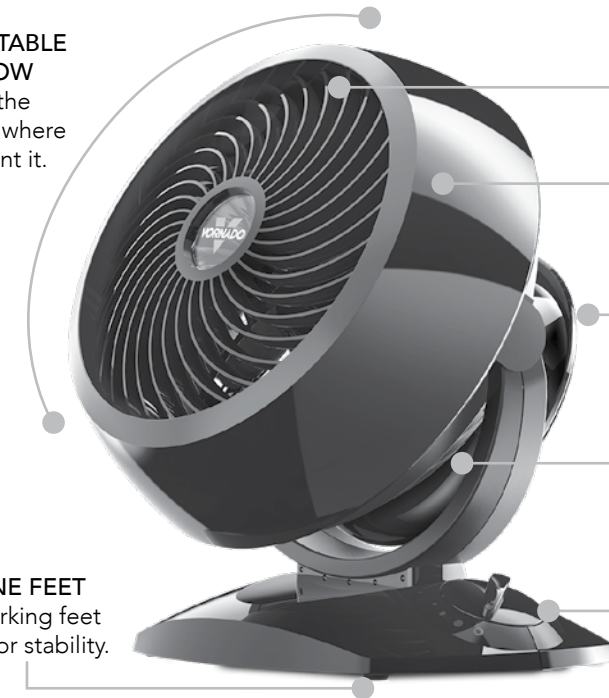
**Tip** Save energy by maximizing the performance of heating and cooling systems. When you use a Vornado Air Circulator, you will not have to set your summertime thermostat as low or your wintertime thermostat as high.

CONTROLS	
1303 CONTROL KNOB	
5303, 6303, 6803, 7503, 7803 CONTROL KNOB	

**WARNING:** Choking Hazard. Keep small parts like silicone feet away from children and pets.

**DIRECTABLE AIRFLOW**  
Direct the airflow where you want it.

**SILICONE FEET**  
Non-marking feet added for stability.



**FINGER FRIENDLY DESIGN**  
Resists curious fingers.

**REMOVABLE GRILLE**  
For easy cleaning.

**INTEGRATED CORD STORAGE**  
Neatly secures the cord when not in use.

**AIR INLETS**  
Signature inlets and powerful motor to move more air.

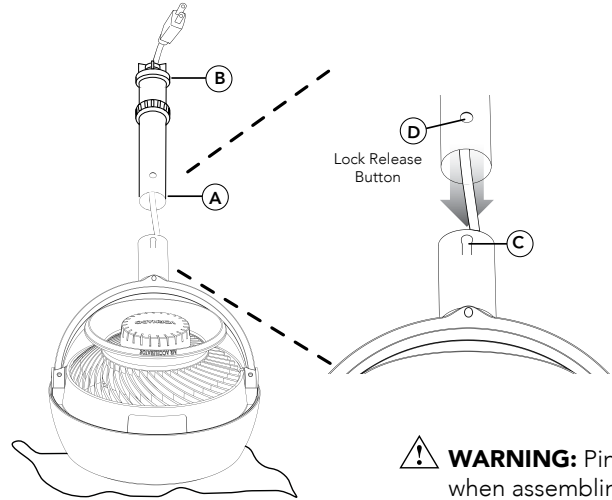
**MULTIPLE SPEEDS**  
Speed setting for every comfort level.

# GETTING STARTED

## INSTALLING CIRCULATOR HEAD (Models 6803 & 7803 Only)

*No tools required!*

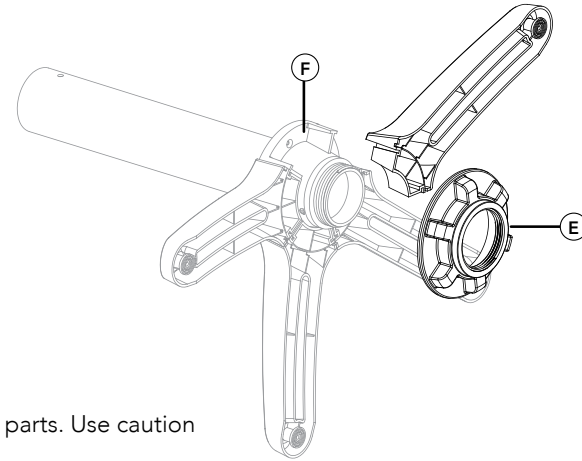
1. Gently place the circulator head face down on the ground on a soft cloth to avoid scratches or damages to the unit. Insert power cord into the top of pole (A) and pull through the bottom (B). Align the Lock Release Button (C) on circulator head with the hole (D) located on the pole. Push the pole onto the circulator head until the Lock Release Button snaps into place.



**⚠ WARNING:** Pinch Hazard between parts. Use caution when assembling the stand.

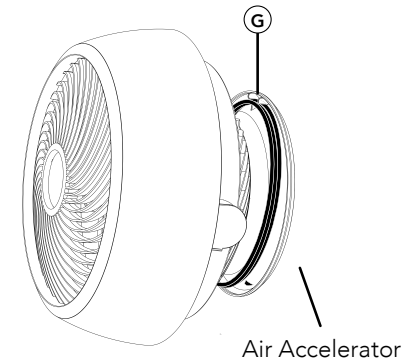
## STAND ASSEMBLY (Models 6803 & 7803 Only)

1. The upper pole and lower pole are pre-assembled, with the fastening nut (E) secured on the underside of the base. Rotate fastening nut counter-clockwise to remove.
2. The legs are designed to fit into the grooves (F) on the underside of the base cap. Assemble all the legs onto the pole, then replace fastening nut by rotating clockwise to secure all the legs in place.



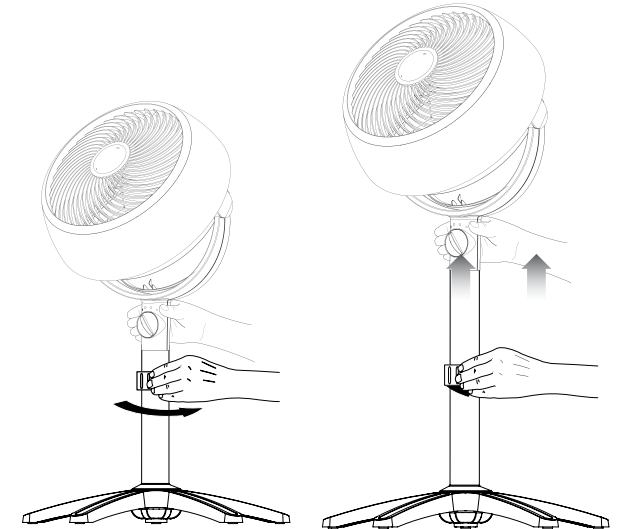
## CORD MANAGEMENT

1. Wrap cord around Air Accelerator, located on back of unit. Secure cord with three clips (G) located at 2, 6 and 10 o'clock positions.



## ADJUSTING HEIGHT (Models 6803 and 7803 Only)

1. Before adjusting the height of the circulator, support the circulator head with one hand. Use your other hand to loosen the height adjustment collar by gently rotating it counter-clockwise.
2. Slowly raise or lower the pole to the desired height and secure into position by rotating the adjustment collar clockwise until tight.

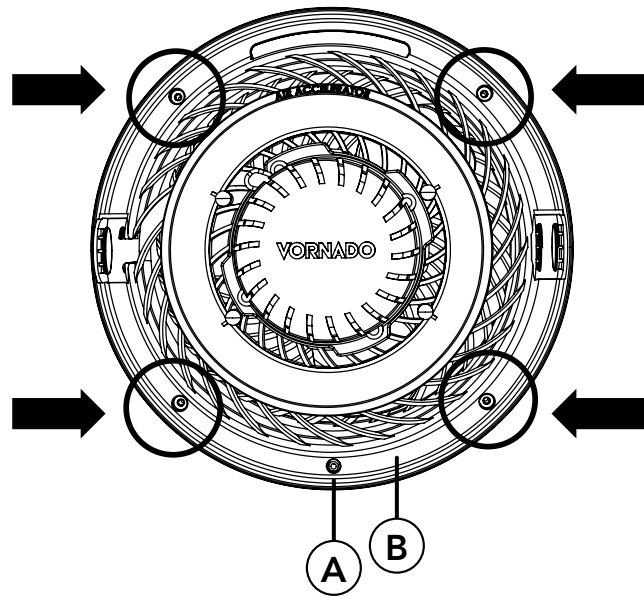


# CLEANING

## GRILLE REMOVAL *Screwdriver required.*

**⚠ WARNING:** To reduce the risk of electrical shock and injury to persons, unplug the circulator before removing grille.

Using a phillips head screwdriver, remove grille by unscrewing the 4 screws located along the perimeter of the inlet grille at roughly 2, 5, 7, and 11 o'clock positions. This will release the grille. To reattach, position grille so the logo in the center of the grille is straight. Models 5303, 6303, 6803, 7503, 7803, align the Locator Pin (A) to reconnect grille. Once aligned replace screws. Model 1303, align the Alignment Rib (B) to reconnect grille. Once aligned replace screws.



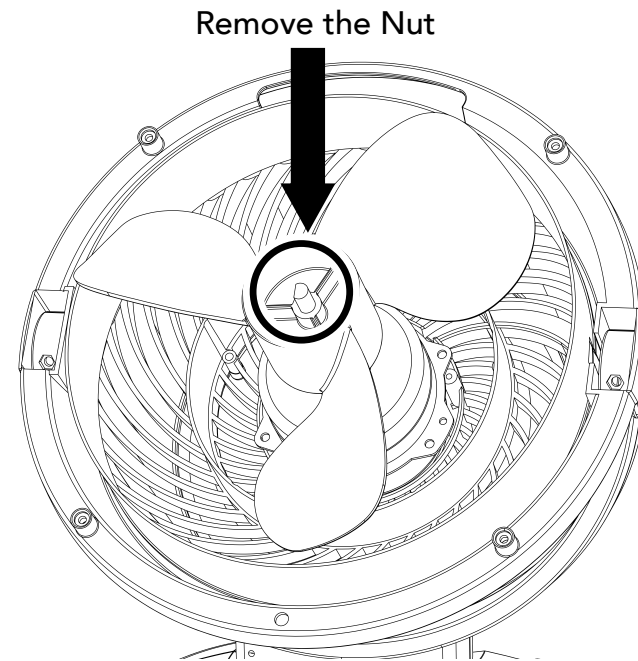
**Tip** Use the brush attachment on your household vacuum cleaner to vacuum any accumulated dust off the Front Grille and Air Inlets.

# CLEANING

## BLADE REMOVAL *Pliers recommended.*

**⚠ WARNING:** To reduce the risk of electrical shock and injury to persons, unplug the circulator before removing blade.

1. First, remove the nut from the shaft by turning the nut clockwise to loosen. If included, remove washers and set aside. Pull the blade straight out from the shaft.
2. Wipe the Blade with a damp cloth. If your circulator is used in a greasy environment, such as a kitchen, mild soap or a common household cleaner may be necessary. Do not use solvents. Do not place blade in the dishwasher. The excessive heat can distort the plastic.
3. To reattach - be certain the flat side of the shaft aligns directly with the corresponding flat side on the blade's socket. Push the blade all the way on the shaft until it bottoms out. **Do not use a hammer as this could result in bearing damage.** If included, reinstall provided washers and nut.



# TROUBLESHOOTING

## PROBLEM

## POSSIBLE CAUSE AND SOLUTION

The unit fails to power on.

- Unit is not plugged in. Plug Power Cord into electrical outlet.
- Ensure unit fan speed setting is selected.
- Plug fuse has blown. Replace fuse (See USER SERVICING INSTRUCTIONS).
- Unit is damaged or in need of repair. Cease usage and unplug. Contact Consumer Service for assistance.
- The outlet is worn or damaged. Try another outlet or contact a qualified electrician.

Airflow is weak or slow.

- Unit set to a low speed setting. Adjust to a higher speed setting.
- Airflow is blocked. Remove obstruction.
- Adjust direction of airflow towards the user.

GFCI has tripped.

Under certain conditions, it is possible for a reset GFCI (Ground Fault Circuit Interrupter) outlet to trip when the user is changing speeds on a Vornado circulator. In this event, change to an outlet that is not connected to a GFCI device. It could also indicate a weak or defective GFCI outlet. Contact a qualified electrician to check the GFCI outlet.



## WARRANTY

We expect this product to be perfect. If you're not satisfied with this product, let us know.

Vornado Air LLC ("Vornado") warrants to the original consumer or purchaser this Vornado® Whole Room Circulator ("Product") is free from defects in material or workmanship for a period of five (5) years from the date of purchase. If any such defect is discovered within the warranty period, Vornado, at its discretion, will repair or replace the Product at no cost.

For warranty service: Call 1-800-234-0604 or email [help@vornado.com](mailto:help@vornado.com) to obtain a Return Authorization ("RA"). Please have or include your Product's model number and serial number, as well as your name, address, city, state, zip code, e-mail, and phone number when contacting Vornado for warranty service. To file a contactless warranty claim, visit [vornado.com/contact-us](http://vornado.com/contact-us).

After receiving the RA form, ship your Product to: Vornado Air LLC Attn: Warranty & Repair 415 East 13th Street Andover, KS 67002. For your convenience, please have your model number and serial number when contacting Vornado with service inquiries. To assure proper handling, packages must be clearly marked with the RA number. Packages not clearly marked with the RA number may be refused at the receiving dock. Please allow 2-3 weeks for warranty service and return of your Product after the Product is received.

This warranty does not apply to defects resulting from abuse of the Product, modification, alteration, mishandling, improper maintenance, commercial use or repair or service of the Product by anyone other than Vornado; damages which occur in shipment or are attributed to acts of God. Improper product use, which includes using an external device that alters or converts the voltage or frequency of electricity, or shipping a Vornado product to a country not intended for use will void all warranties. Any unauthorized product

modification, repair by unauthorized repair center, or use of non-approved replacement parts is not recommended and any consequences will not be covered by support services or product warranties. The product warranty will be honored only on models that are being used in the country intended. REPAIR OR REPLACEMENT AS PROVIDED UNDER THIS WARRANTY IS THE EXCLUSIVE REMEDY OF THE CONSUMER. VORNADO SHALL NOT BE LIABLE FOR ANY INCIDENTAL OR CONSEQUENTIAL DAMAGES FOR BREACH OF ANY EXPRESS OR IMPLIED WARRANTY ON THIS PRODUCT. EXCEPT TO THE EXTENT PROHIBITED BY APPLICABLE LAW, ANY IMPLIED WARRANTY OF MERCHANTABILITY OR FITNESS FOR A PARTICULAR PURPOSE ON THIS PRODUCT IS LIMITED IN DURATION TO THE DURATION OF THIS WARRANTY. Some states do not allow the exclusion or limitation of incidental or consequential damages, or allow limitations on how long an implied warranty lasts, so the above limitations or exclusions may not apply to you. This warranty gives you specific legal rights, and you may have other rights that vary from state to state. The manufacturer assumes no responsibility for damage caused by failure to follow these instructions or improper product use. Any such actions will invalidate the product warranty.

All company names and product names are trademarks of their respective owners. © All rights reserved. All technical information, data, and instructions for the installation, connection, and operation contained in these instructions for use correspond to the latest available information at time of printing. The contents of this manual may differ slightly from the actual product. Observe any additional supplements.



Designed, engineered and supported in Andover, KS

© 2023 Vornado Air LLC Andover, KS 67002 U.S. Patents D688,366, D688,367 and D688,368; Additional Patents Pending. Specifications subject to change without notice. Vornado® is a trademark owned by Vornado Air LLC.

**We're Here To Help**  
**800.234.0604**  
**vornado.com**  
**help@vornado.com**

Esperamos que  
este producto  
sea perfecto.

Si no lo es,  
ayúdenos a  
corregirlo

vornado.com  
800-234-0604  
help@vornado.com

## CONTENIDO

Instrucciones De Seguridad Importantes .....	16	Resolución De Problemas .....	24
Características.....	19	Garantía.....	25
Primeros Pasos.....	20		
Limpieza .....	22		



# LEA Y CONSERVE ESTAS INSTRUCCIONES

## INSTRUCCIONES DE SEGURIDAD IMPORTANTES

Este manual de usuario y todos los folletos adicionales se consideran parte del producto. Contienen información importante sobre seguridad, utilización y eliminación. Antes de utilizar el producto, lea todas las instrucciones de seguridad y de operación. Conserve todos los documentos para referencia futura y entregue estos documentos, junto con el producto, en caso de venderlo. Consulte [www.vornado.com/circulators-manuals](http://www.vornado.com/circulators-manuals) para ver, descargar e imprimir la versión más reciente de estas instrucciones.

**USO PREVISTO:** Este producto está previsto para circular el aire de espacios interiores de viviendas solo en Estados Unidos. Este producto (solo modelos 6803 y 7803) es solo para uso en el piso. Este producto no está previsto para uso comercial o industrial. El fabricante no asume ninguna responsabilidad por daños o lesiones que se ocasionen debido a la utilización o a la modificación no autorizadas del producto. La inobservancia de estas instrucciones invalidará la garantía del producto.

## ADVERTENCIA: Riesgo Para Niños y Personas Con Discapacidad

Se requiere la supervisión durante la instalación, la operación, la limpieza y el mantenimiento de este producto por parte de niños menores a 12 años y de cualquier persona con capacidades físicas, sensoriales o mentales reducidas. Se debe supervisar que los niños no jueguen con este producto, sus partes ni el material de empaque.

## ADVERTENCIA DE INSTALACIÓN: Para reducir el riesgo de incendio, de descarga eléctrica y de lesiones a personas, tenga en cuenta lo siguiente:

- Coloque este producto alejado de cortinas, tapices, manteles y otras telas, ya que podrían ser atraídas por el producto, dañar el motor o causar un incendio.
- Ninguna pieza de este producto (el artefacto, el cable de alimentación, el enchufe, el empaque, etc.) debe colocarse cerca de estufas, hogares, hornos u otras fuentes de calor de alta temperatura. No utilice este producto en una ventana, o en una superficie despareja o inestable, ni cerca de agua.
- El artefacto, el cable de alimentación y el enchufe no pueden estar en contacto con agua. No utilice este producto en superficies húmedas. No utilice este producto en una tina o ducha, ni coloque el producto de donde se pueda caer a una tina, lavadora, piscina u otro contenedor de agua. No utilice este producto al aire libre o expuesto a la intemperie.
- No pase el cable debajo del alfombrado. No cubra el cable con alfombras, tapetes o coberturas similares. No lo pase debajo de muebles o electrodomésticos. Coloque el cable fuera del área de paso y donde no genere tropiezos. El cable no debe colgar de bordes de mesadas ni estar colocado donde pueda quedar doblado o apretado por puertas. Coloque el artefacto cerca de una toma de corriente simple y accesible para que el producto pueda desenchufarse rápidamente en caso de emergencia.

## ADVERTENCIA PARA LA UTILIZACIÓN SEGURA: Para reducir el riesgo de incendio, de descarga eléctrica y de lesiones a personas, tenga en cuenta lo siguiente:

- **ADVERTENCIA:** Para reducir la posibilidad de una sobrecarga del circuito, de incendio o de descarga eléctrica, no conecte a un dispositivo de velocidad de estado sólido como un regulador de voltaje.
- No opere ningún ventilador con un cable o enchufe dañado. Deseche el ventilador o regrese a un centro de servicio autorizado para su examen y / o reparación.
- No haga funcionar la unidad si esta se ha caído o está dañada. No opere ningún ventilador con un cable o enchufe dañado. Para evitar el riesgo de descarga eléctrica, no intente reparar ni reemplazar piezas. Solo se deben utilizar piezas de recambio originales. Si el cable de alimentación está dañado, el fabricante, su agente de reparación o personas con similar capacitación deben reemplazarlo para evitar peligros. Comuníquese con el Servicio al Cliente de Vornado al 1-800-234-0604 (teléfono) o en [consumerservice@vornado.com](mailto:consumerservice@vornado.com) (correo electrónico) para obtener más instrucciones sobre reemplazos y reparaciones.
- Antes de enchufar el cable de alimentación en la toma de corriente eléctrica, asegúrese de la información eléctrica de la etiqueta de calificación, incluido el voltaje, sean compatibles con el suministro de alimentación de su toma de corriente.
- No se siente ni se pare sobre el producto.
- Nunca utilice el cable como una manija, jale, separe ni tire del cable de alimentación.
- Mientras el producto esté enchufado, no coloque ni permita que objetos extraños entren en una abertura de entrada o salida ya que podrían causar el riesgo de descarga eléctrica o de incendio, o dañar el producto.
- Un calce no firme entre la toma de corriente de pared (receptáculo)

y el enchufe pueden causar sobrecalentamiento del enchufe. Deje de utilizar el producto en esta toma de corriente. Comuníquese con un electricista calificado para reemplazar las tomas con corriente flojas o desgastadas.

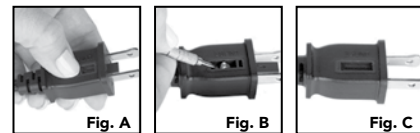
- Este artefacto posee un enchufe polarizado. (Una pata es más ancha que la otra.) Para reducir el riesgo de descarga eléctrica, esta clavija tiene la intención de entrar en una toma de corriente polarizada solamente de una manera. Si la clavija no entra totalmente en la toma de corriente, ponga la clavija del otro modo. Si aún así no entra, comuníquese con un electricista calificado. No intente ir en contra de esta característica de seguridad.
- Antes de mover, colocar en otra parte, reparar, limpiar o cuando no esté en uso, utilice los controles para apagar la alimentación y desenchufe. Para desconectar de la toma de corriente, tire solo del enchufe. También, apague y desenchufe el producto si lo dejará sin supervisión durante un largo período de tiempo o durante tormentas eléctricas.

## ADVERTENCIA DE REPARACIÓN: Para reducir el riesgo de incendio, de descarga eléctrica y de lesiones a personas, tenga en cuenta lo siguiente:

- Limpie su producto regularmente, solo como se indica en este manual. Antes de limpiar, apague y desenchufe el producto. No utilice gasolina, diluyentes, solventes, amoníacos ni otros químicos para limpiar. Consulte las instrucciones de LIMPIEZA provistas.
- No abra la carcasa del artefacto mientras el producto esté enchufado. Para evitar el riesgo de descarga, todo servicio o reparaciones deben ser realizados por un Centro de Servicio Autorizado de Vornado.
- Este producto posee protección contra sobrecargas (fusible). Un fusible quemado indica que se ha producido una sobrecarga o un cortocircuito. Si el fusible se quema, desconecte el producto del

tomacorriente. Reemplace el fusible de acuerdo a las instrucciones de reparación para el usuario (tenga en cuenta las indicaciones del producto para obtener información sobre el valor correspondiente del fusible) y verifique el producto. Si el fusible de repuesto se quema, es posible que ocurra un cortocircuito. En ese caso, el producto debe desecharse o ser devuelto a un representante de servicio autorizado para que examine o repare el producto.

cortocircuito, y el producto debe desecharse o ser devuelto a un representante de servicio autorizado para que lo examinen o reparen.



### Instrucciones De Reparación Para El Usuario

1. Utilizando los controles del producto, apague el artefacto.
2. Tome el enchufe (no el cable) y desconéctelo de la toma de corriente.
3. Riesgo de incendio. Reemplace con un fusible de 2.5 Amp, 125 v con el amperaje aprobado por el Servicio de Atención al Cliente de Vornado. Comuníquese con el Servicio de Atención al Cliente de Vornado para obtener un fusible de repuesto autorizado.
4. Una vez que ha recibido el repuesto, utilice un destornillador plano pequeño para abrir la tapa del fusible (ubicada en el enchufe) (Fig. A).
5. Retire el fusible utilizando el destornillador para levantar suavemente cada extremo del fusible (Fig. B).
6. Instale el fusible de repuesto utilizando el destornillador para empujar suavemente cada extremo de metal del fusible en el receptáculo, un extremo a la vez. No empuje en el centro del fusible; es frágil y puede romperse.
7. Deslice la tapa del fusible para cerrarla utilizando el destornillador. Una vez cerrada, la tapa debe caer completamente en el enchufe. Ninguna parte de la tapa debe sobresalir (Fig. C).
8. Enchufe el artefacto en una toma de corriente y enciéndalo.
9. Si el fusible de reemplazo se quema, puede haber un

Riesgo de incendio. No reemplace el enchufe. Contiene un artefacto de seguridad (fusible, AFCI, LCDI) que no debe retirarse. Deseche el producto si el enchufe está dañado.

### CONSERVE ESTAS INSTRUCCIONES

# CARACTERÍSTICAS



Conserve energía maximizando el funcionamiento de los sistemas de calentamiento y ventilación. Cuando use un circulador de aire de Vornado, no tendrá que configurar su termostato en un nivel bajo en verano ni aumentar el nivel en invierno.

### CONTROLES

1303  
PERILLA DE CONTROL

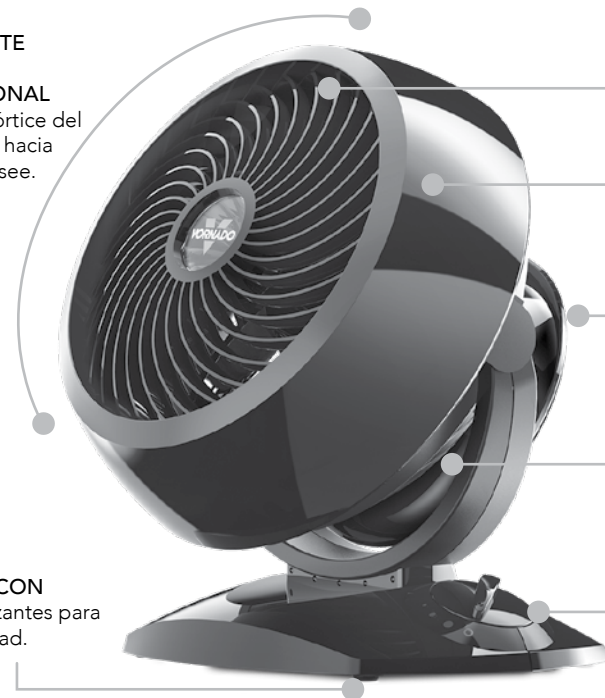


5303, 6303,  
6803, 7503,  
7803  
PERILLA DE CONTROL



### CORRIENTE DE AIRE DIRECCIONAL

Dirija el vórtice del circulador hacia donde desee.



### DISEÑO FÁCIL DE MANIPULAR

Resiste dedos curiosos.

### REJILLA REMOVIBLE

Para una limpieza sencilla.

El compartimento integrado para cables guarda el cable de forma ordenada cuando no está en uso.

### ENTRADAS DE AIRE

Entradas de marca y un motor poderoso para circular el aire.

### DIFERENTES VELOCIDADES

Ajuste de la velocidad para cada nivel de comodidad.



**ADVERTENCIA:** Peligro de asfixia. Mantenga las piezas pequeñas, como las bases de silicon, fuera del alcance de los niños y las mascotas.

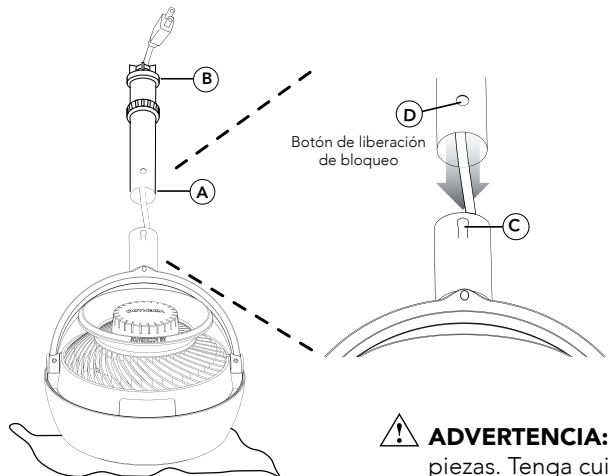
### BASES DE SILICON

Bases antideslizantes para mayor estabilidad.

# PRIMEROS PASOS

## Instalación Del Cabezal Del Circulador (solo modelos 6803 y 7803) ¡No se necesitan herramientas!

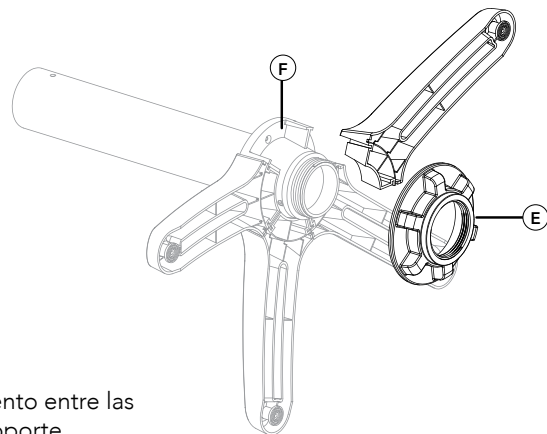
1. Coloque suavemente el cabezal del circulador hacia abajo en el piso sobre un paño suave para evitar ralladuras o daños a la unidad. Introduzca el cable de energía en la parte superior del tubo (A) y páselo hasta la parte inferior (B). Alinee el botón de bloqueo/desbloqueo (C) del cabezal del circulador con el orificio (D) ubicado en el tubo. Presione el tubo en el cabezal del circulador hasta que el botón de bloqueo/desbloqueo quede encajado.



**⚠ ADVERTENCIA:** peligro de pinzamiento entre las piezas. Tenga cuidado al montar el soporte.

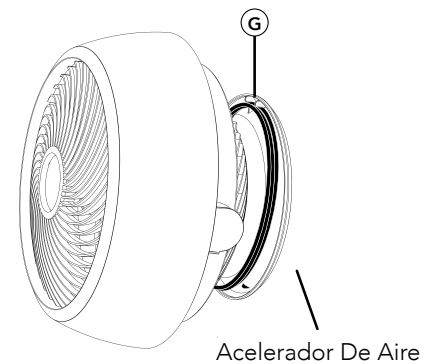
## Ensamblado Del Soporte (solo modelos 6803 y 7803)

1. El tubo superior y el tubo inferior vienen pre-ensamblados con la tuerca de sujeción (E) asegurada en la parte inferior de la base. Gire la tuerca de sujeción en el sentido contrario a las agujas del reloj para quitarla.
2. Las patas están diseñadas para encajar en las ranuras (F) en la parte inferior de la tapa de la base. Ensamble todas las patas en el tubo, luego coloque nuevamente la tuerca de sujeción girándola en el sentido de las agujas del reloj para sujetar todas las patas.



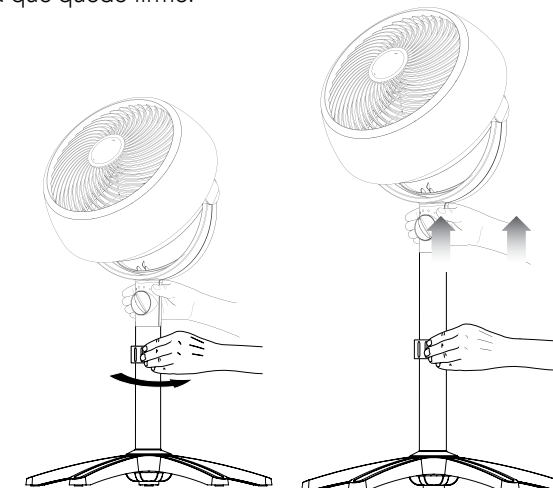
## Organizador De Cables

1. Enrolle el cable alrededor del acelerador de aire ubicado en la parte trasera de la unidad. Sujete el cable con los tres ganchos (A) ubicados en las posiciones de las horas 2, 6 y 10 del reloj.



## Cómo Ajustar La Altura (solo modelos 6803 y 7803)

1. Antes de ajustar la altura del circulador, sostenga el cabezal del circulador con una mano. Use la otra mano para aflojar el anillo de ajuste de altura girándolo suavemente en el sentido contrario a las agujas del reloj.
2. Suba o baje lentamente el tubo hasta la altura deseada y sujételo girando el anillo de ajuste en el sentido de las agujas del reloj hasta que quede firme.

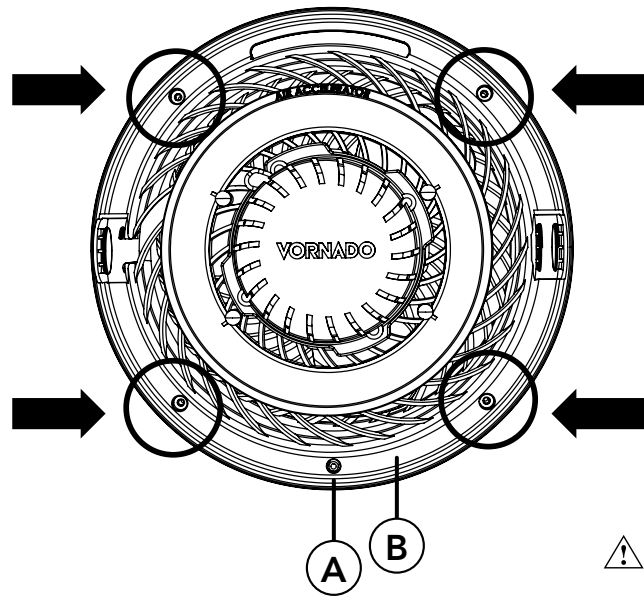


# LIMPIEZA

## REMOCIÓN DE LA REJILLA *Se requiere un destornillador.*

**⚠ ADVERTENCIA:** Para reducir el riesgo de descarga eléctrica o daños a personas, desenchufe el circulador antes de remover la rejilla.

Use un destornillador Phillips para quitar la rejilla. Desatornille los 4 tornillos ubicados a lo largo del perímetro de la rejilla de entrada en las posiciones de las horas 2, 5, 7, y 11 del reloj. Así sacará la rejilla. Para colocarla nuevamente, acomode la rejilla de forma tal que el logotipo del centro de la rejilla quede derecho, y vuelva a colocar los tornillos. Modelos 5303, 6303, 6803, 7503, 7803, alinee el localizador perno (A) para volver a conectar la parrilla. Una vez alineados reemplazar los tornillos. Modelo 1303, alinee la alineación costilla (B) para volver a conectar la parrilla. Una vez alineados reemplazar los tornillos.



**Tip** Utilice el cepillo del aspirador para aspirar cualquier polvo acumulado en la rejilla frontal y en las entradas de aire.

**⚠ ADVERTENCIA:** Peligro de asfixia. Mantenga las piezas pequeñas, como los tornillos, fuera del alcance de los niños y las mascotas.

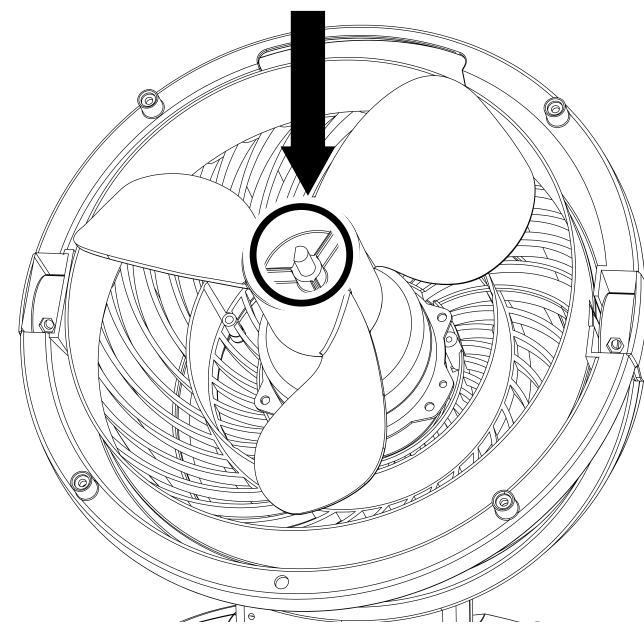
# LIMPIEZA

## REMOCIÓN DEL ASPA *Se recomiendan alicates.*

**⚠ ADVERTENCIA:** Para reducir el riesgo de descarga eléctrica o daños a personas, desenchufe el circulador antes de remover el aspa.

1. Primero, retire la tuerca de la varilla girando la tuerca en sentido **horario** para aflojarla. Si está incluido, quite las arandelas y reserve. Retire el aspa de la varilla.
2. Limpie el aspa con un paño suave. Si el circulador se usa en un ambiente grasoso, como la cocina, puede ser necesario utilizar un jabón suave o un producto de limpieza común. No use solventes.
3. Para reubicar el aspa, asegúrese de que el lado plano de la varilla esté alineado directamente con el lado plano correspondiente en el enchufe del aspa. Empuje el aspa en la varilla hasta que llegue a la base del circulador. **No utilice un martillo, pues podría dañar el artefacto.** Si está incluido, reinstale las arandelas provistas y la tuerca.

### Quite el Tornillo



# RESOLUCIÓN DE PROBLEMAS

## PROBLEMA

## POSIBLE CAUSA Y SOLUCIÓN

El artefacto no se enciende.

El artefacto no está enchufado. Enchufe el cable de alimentación en la toma de corriente eléctrica.

Asegúrese de que el artefacto se encuentra en modo de ventilador.

Se quemó el fusible. Reemplace el fusible (Vea INSTRUCCIONES DE FUNCIONAMIENTO DEL USUARIO).

La unidad está dañada o necesita reparación. Suspnda el uso y desenchúfela. Comuníquese con el servicio de atención al cliente para obtener asistencia.

El enchufe está gastado o dañado. Pruebe con otro enchufe o contacte a un electricista certificado.

El flujo de aire es débil o lento.

Configure la unidad a una velocidad baja. Ajústela a una configuración de velocidad más alta.

El flujo de aire está bloqueado. Quite la obstrucción.

Ajuste la dirección de la corriente de aire hacia el usuario.

El GFCI se detiene.

Bajo ciertas condiciones, es posible que un enchufe GFCI recolocado no funcione cuando el usuario cambia la velocidad del circulador Vornado. En este caso, cambie a un enchufe que no esté conectado a un artefacto GFCI. Asimismo, esto podría indicar que el enchufe GFCI se encuentra en mal estado o defectuoso. Comuníquese con un electricista certificado para que verifique el enchufe GFCI.



## GARANTÍA

Esperamos que este producto sea perfecto. Si no está satisfecho con este producto, háganoslo saber.

Vornado Air LLC ("Vornado") garantiza al consumidor o comprador original que este Circulador para todo el ambiente Vornado® ("Producto") estará libre de defectos de materiales o fabricación durante un periodo de cinco (5) años a partir de la fecha de compra. En caso de detectarse algún defecto de este tipo dentro del periodo de garantía, Vornado, a su discreción, reparará o reemplazará el Producto sin costo alguno.

Servicio de garantía, llame al 1-800-234-0604 o envíe un correo electrónico a help@vornado.com para obtener un formulario de Autorización de Devolución ("RA" por sus siglas en inglés). Cuando se comunique con Vornado por el servicio de garantía, tenga o incluya el número de modelo y número de serie del Producto, como también su nombre, dirección, ciudad, estado, código postal, e-mail, y número de teléfono. Para presentar un reclamo de garantía sin contacto, visite vornado.com/contact-us.

Luego de recibir el formulario RA, envíe su Producto a, Vornado Air LLC Attn: Warranty & Repair 415 East 13th Street Andover, KS 67002. Para su comodidad, tenga a mano el número de modelo y número de serie al comunicarse con Vornado para realizar consultas sobre servicio. Para garantizar la manipulación adecuada, los paquetes deben estar claramente marcados con el número RA. Los paquetes que no estén claramente marcados con el número RA podrán ser rechazados en la plataforma de recepción. El servicio de garantía y devolución de su Producto tardará entre 2 y 3 semanas a partir de la recepción del Producto.

Esta garantía no se aplica a defectos generados por abuso del Producto, modificación, alteración, manipulación indebida, mantenimiento inadecuado, uso comercial o reparación o servicio del Producto por parte de una persona externa a Vornado, daños producidos durante el envío o atribuidos a hechos fortuitos. El uso inadecuado del producto, que incluye el uso

de un dispositivo externo que altera o convierte el voltaje o la frecuencia de la electricidad, o el envío de un producto Vornado a un país donde su uso no está previsto invalidará todas las garantías. No se recomienda la modificación no autorizada del producto, la reparación realizada por un centro de reparaciones no autorizado, o el uso de repuestos no aprobados, y sus consecuencias no serán cubiertas por los servicios de soporte o las garantías del producto. La garantía del producto tendrá validez solo para los modelos que se usan en el país previsto. LA REPARACIÓN O EL REEMPLAZO SEGÚN SE ESTABLECE EN VIRTUD DE ESTA GARANTÍA ES UN RECURSO EXCLUSIVO DEL CONSUMIDOR. VORNADO NO SERÁ RESPONSABLE DE LOS DAÑOS INCIDENTALES O INDIRECTOS PRODUCIDOS COMO CONSECUENCIA DEL INCUMPLIMIENTO DE UNA GARANTÍA EXPLÍCITA O IMPLÍCITA SOBRE ESTE PRODUCTO. SALVO QUE LA LEY APLICABLE LO PROHIBA, LA VIGENCIA DE LA GARANTÍA IMPLÍCITA DE APTITUD O IDONEIDAD PARA UN FIN ESPECÍFICO DE ESTE PRODUCTO ESTARÁ LIMITADA A LA VIGENCIA DE ESTA GARANTÍA. Algunos estados no permiten la exclusión o limitación de los daños incidentales o indirectos, o limitaciones sobre la vigencia de una garantía implícita. Por ello, las limitaciones o exclusiones que se indican anteriormente pueden no aplicarse en su caso. Esta garantía le otorga derechos legales específicos, y usted puede tener otros derechos que varían entre un estado y otro. El fabricante no asume responsabilidad alguna por los daños causados por la falta de cumplimiento de estas instrucciones o el uso inadecuado del producto. Dichas acciones invalidarán la garantía del producto.

Los nombres de empresas y productos son marcas comerciales de sus respectivos propietarios. © Todos los derechos reservados. La información técnica, los datos y las instrucciones para la instalación, conexión y operación que contienen estas instrucciones de uso corresponden a la última información disponible al momento de la impresión. El contenido de este manual puede diferir ligeramente del producto real. Tenga en cuenta los suplementos adicionales.



Pensado y diseñado y respaldado en Andover, KS

© 2023 Vornado Air LLC Andover, KS 67002 U.S. Patente en Curso. Especificaciones del producto sujetas a cambio sin previo aviso. Vornado® es marca registrada de Vornado Air LLC.

Estamos Aquí Para Ayudar  
800.234.0604  
vornado.com  
help@vornado.com





Vornado Air, LLC  
415 East 13th Street, Andover, Kansas 67002  
800.234.0604 | [vornado.com](http://vornado.com)